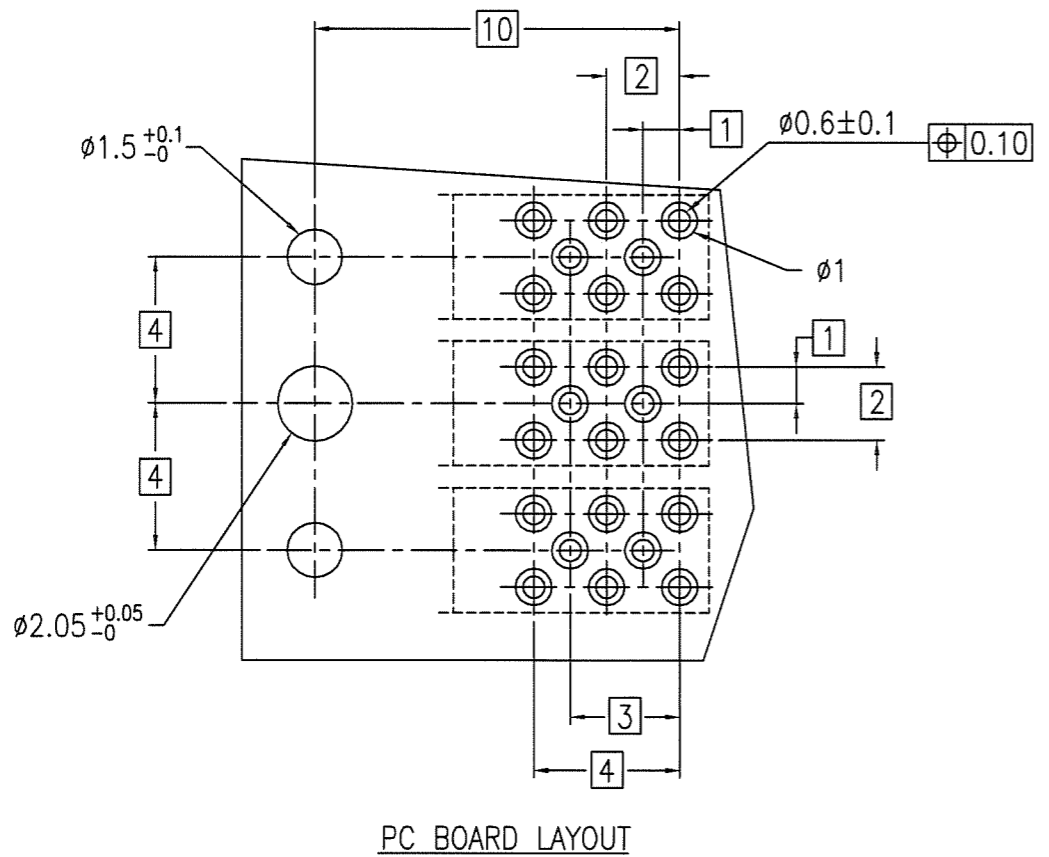
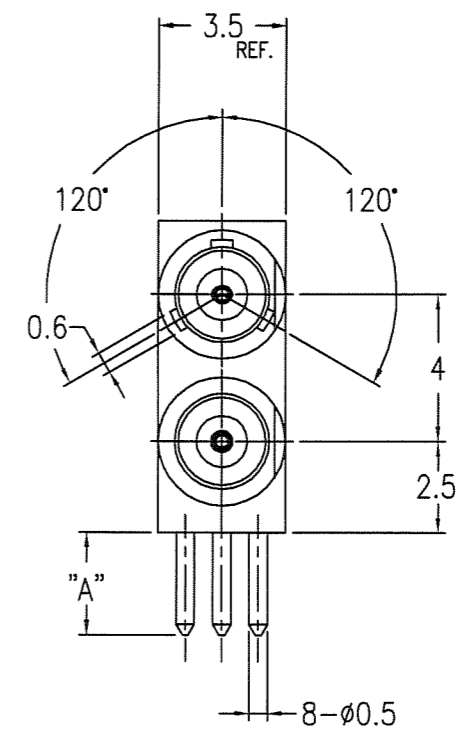
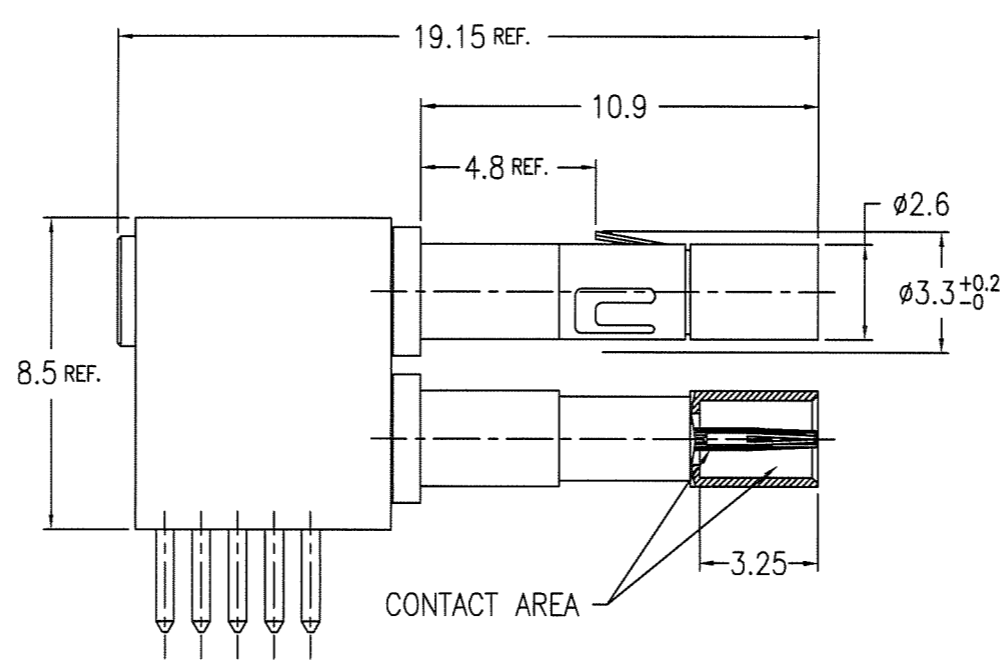


PRODUCT NO.	DIM "A"	PCB THICKNESS
62525-101	2.8	1.6mm
-101LF		
62525-102	3.8	2.4mm
-102LF		
62525-103	4.5	3.2mm
-103LF		



- NOTES
- MATERIAL : CONTACT AREA BeCu
SPRING CLIP BeCu
INSULATOTR PTFE
OTHERS BRASS
 - PLATING : CONTACT AREA Au 0.8um MIN. UNDER Ni 1.27um MIN.
SPRING CLIP Ni 1.27um MIN.
BODY Ni 1.27um MIN.
INSERT CAP Ni 1.27um MIN.
OTHERS Au FLASH UNDER Ni 1.27um MIN.
 - FOR LEAD FREE P/N, THE PRODUCT MEET EUROPEAN UNION DIRECTIVES AND OTHER COUNTRY REGULATIONS AS DESCRIBED IN GS-22-008
 - THE HOUSING WILL WITHSTAND EXPOSURE TO 260°C PEAK TEMPERATURE FOR 10 SECONDS IN A CONVECTION, INFRA-RED OR VAPOR PHASE REFLOW OVEN.

mat'l. code				surface ISO 1302		tolerance ISO 406 ISO 1101		projection		product family METRAL		CODE JP	
---				✓				MM		title			
tr				description		ecn no		dr		date		tolerances unless otherwise specified	
A				RELEASED		J90148		Y.K		5/10/'99		0.X ±0.3	
B				REVISED		J90200		Y.K		6/7/'99		0.XX ±0.3	
C				REVISED		J20641		Y.K		12/16/'02		0°±2'	
D				REVISED		J05-0673		Y.K		10/21/'05		dr Y.KODAIRA 5/10/'99	
E				REVISED		J07-0030		S.D		1/18/'07		enr S.OKUDAIRA 1/18/'07	
												chr R. Szwajc 1/18/07	
												appd S. Okudaira 1/18/07	
sheet index		revision sheet		E		1						Rev. E	

FCI
FCIconnect.com
Copyright FCI.